

## JRT-Series Solenoid Valve



### Specifications:

Version: normally closed

Diaphragm type: VITON

Valve body: brass / RVS

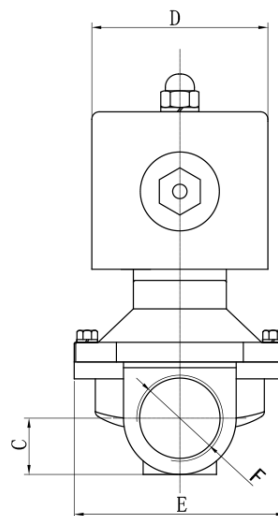
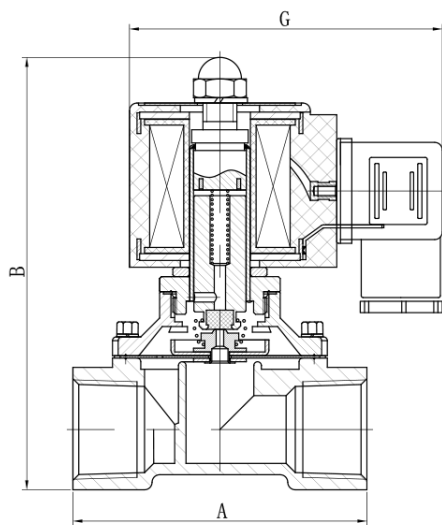
Internals: stainless steel

Pressure: 0-10 bar

Temperature resistance: 180°C

Voltage: 24-230V AC/DC / Energy saving type

Manufacturer: JRT



**Also available in  
Explosion-proof version**

Dimensions	A	B	C	D	E	F
JRT-08	68	102	13	48	57	1/4
JRT-10	68	102	13	48	57	3/8
JRT-15	68	102	13	48	57	1/2
JRT-20	73	110	16	48	57	3/4
JRT-25	99	118	19	48	73	1
JRT-35	118	159	25	63	94	1¼
JRT-40	118	162	28	63	94	1½
JRT-50	154	182	35	63	124	2